



Keeps Pets in a Good Place .

Assembly Instructions for Model Numbers 2929SW, 2939SW, 2929SG, and 2939SG

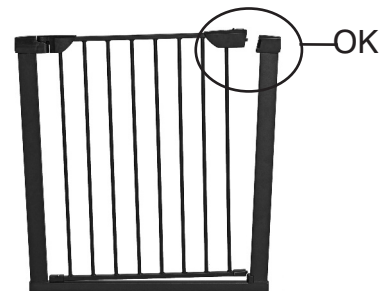
800-428-8560  
midwesthomes4pets.com  
P.O. Box 1031  
Muncie, Indiana 47308



## IMPORTANT INFORMATION

Unwrap and remove all parts from the box. Keep the box and packing material until the product is assembled. In case of return or exchange, failure to return product in similar condition as received could result in limited reimbursement. Please save sales receipt as proof of purchase for warranty purposes. Check to ensure you have all the parts below. If you discover any parts are missing, immediately call our toll-free service helpline at 1-800-428-8560 (Monday - Friday 9 a.m. to 4 p.m. EST) or at [info@midwesthomes4pets.com](mailto:info@midwesthomes4pets.com). **To protect the finish of your gate use only mild, non-abrasive cleaners and water. Any course scrubbing or abrasive materials could damage the finish.**

IMPORTANT: You will notice a GAP between the door latch and the gate frame prior to assembly. THIS IS NOT A DEFECT. Your gate is a pressure-mounted gate and this gap will disappear once the gate is properly installed and tightened in the opening. To help with installation, the gate door is zip tied to the frame. For ease of installation, it is recommended that you wait to cut the zip tie until installation of the gate is close to complete, ideally at Step 7.



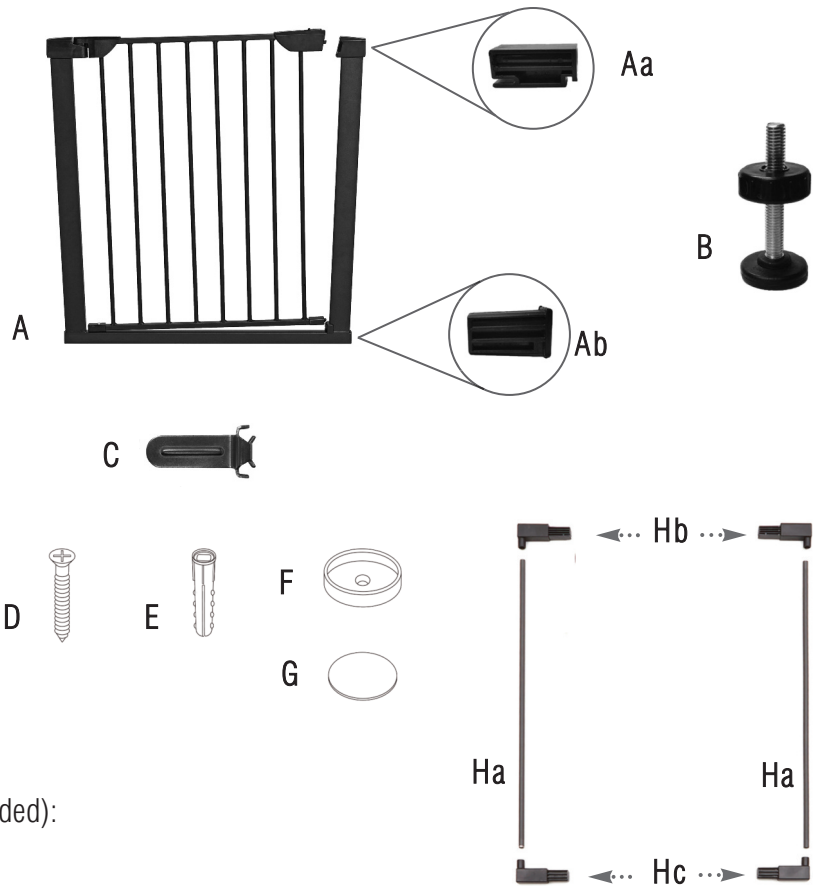
**WARNING: This gate is ONLY FOR USE WITH PETS.**  
**This gate is NOT to be used for children. Do not place on top of stairs.**  
**Read and follow all instructions carefully.**

- Keep the instructions for future reference. In the future, if additional extensions are purchased, this instruction manual will be needed.
- Improper installation could result in gate becoming unstable or dislodged from the opening.
- Ensure the gate is attached between two clean, structurally sound surfaces.
- Do not remove the safety notices; you may not always be the user.
- Always make sure the extensions are securely attached to the gate before using.
- Regularly check tension knobs and bolts to make sure the gate is securely in place.
- Never use more than two extensions per gate! Never install two extensions on the same side of the gate.
- To prevent falls never use at top of stairs.
- Use only with locking mechanism securely engaged.
- Do not use if any components are missing or damaged.
- Keep small parts away from pets and children.



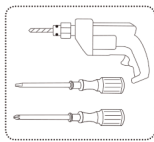
# PARTS IDENTIFICATION

- A Gate Frame
  - a. Top Plastic Insert (2)
  - b. Bottom Plastic Insert (2)
- B Threaded Spindle Bolt with Plastic Pad and Adjustment Wheel (4)
- C Wrench
- D Screws (4)
- E Drywall Anchors (4)
- F Mounting Cups (4)
- G Adhesive Mounting Pads (4)
- H 3" Extension (2)
  - a. Extension Rod (2)
  - b. Top Plastic Connector (2)
  - c. Bottom Plastic Connector (2)

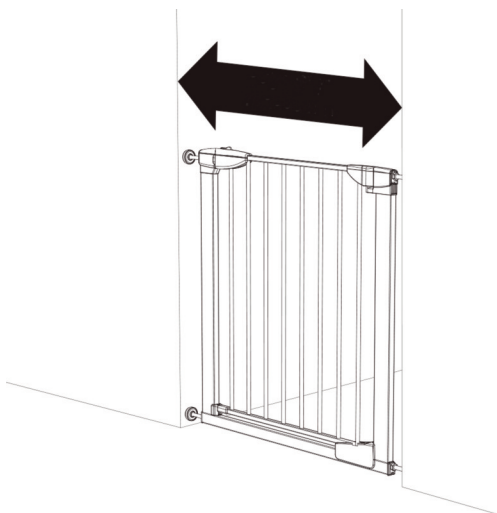


**Some Tools May Be Required (Not Included):**

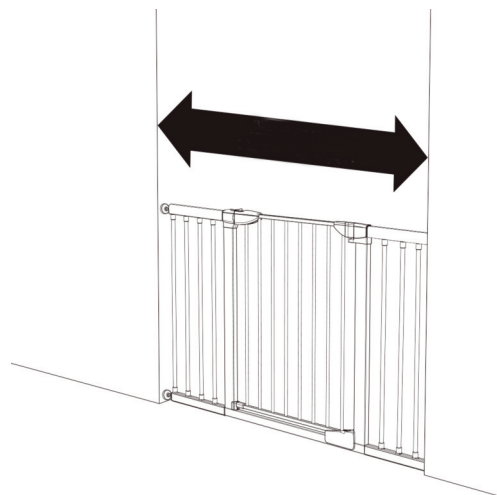
- Power Drill
- Flat Head Screwdriver
- Phillips Head Screwdriver



This gate fits openings 29.5 inches wide (without the included extensions) to 38 inches wide (with the included 3-inch extensions). If you have an application that requires additional extensions, please contact the retailer from which you purchased your gate. MidWest offers the following extension sizes for your gate (sold separately): 3-inch, 6-inch, and 11-inch. The maximum width that can be achieved is 54 inches.



39" Tall Gate Without Extensions

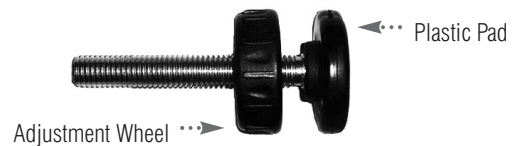


29" Tall Gate With Two 11-inch Extensions (Sold Separately)

# ASSEMBLY INSTRUCTIONS

## For Installation Without Extensions

1. Locate the 4 Threaded Spindle Bolts. Before you begin, turn the Adjustment Wheels clockwise until they are close to the Plastic Pads. **NOTE:** The Adjustment Wheel should not touch the Pad. If it does it could get stuck.
2. Insert the 4 Threaded Spindle Bolts into the holes of the Plastic Inserts in the four ends of the gate frame as shown. **NOTE:** The Plastic Inserts are not threaded. The Threaded Spindle Bolts should slide into the inserts without any resistance. Push the Threaded Spindle Bolts all the way in until each adjustment wheel hits the gate frame.

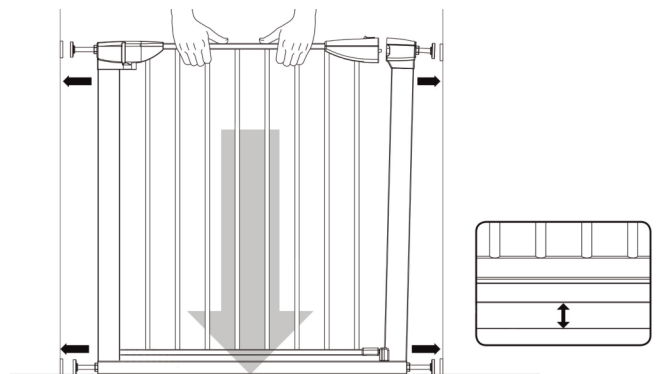


## Positioning and Attaching the Mounting Cups to the Opening

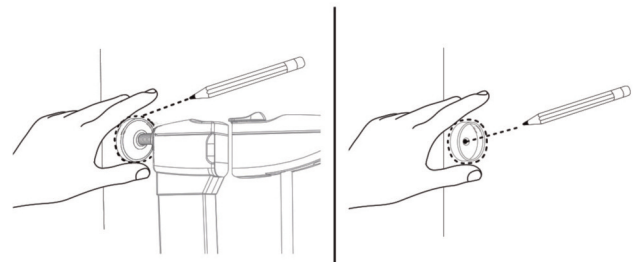
Your gate is a pressure-mounted gate, therefore it is not necessary to use the Mounting Cups. However, using the Mounting Cups will affix your gate more firmly in the opening, so you may choose to use them in all applications. If you choose **not** to use the Mounting Cups you may skip to Step 4 now.

3. Before attaching your Mounting Cups to the opening, make sure you have correctly marked the placement of the screw holes.

**NOTE:** It is important to install the gate with a spacing of no more than 2.5" from the floor, and to make sure the gap between the side walls and the gate is no more than 2.5" on each side of the gate.



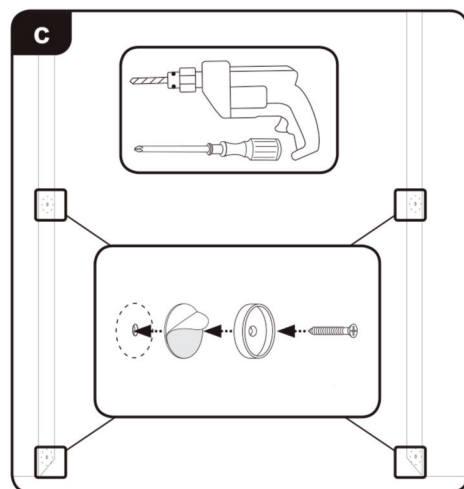
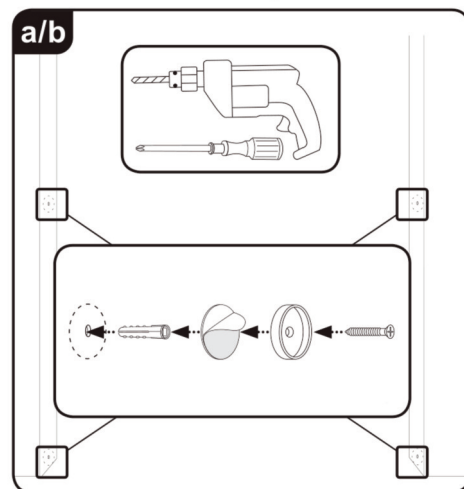
Position your gate in the opening so it is level and centered as shown. Place the Mounting Cups over the Pad of the Threaded Spindle Bolts, which should already be fully inserted into the ends of the gate. Pull the Threaded Spindle Bolts out until the pad and Mounting Cup is against the wall. Take a pencil and make a light mark on the wall around the perimeter of the Mounting Cup. Repeat with the three remaining Spindle Bolts and Mounting Cups. Once you have marked the correct spots on your walls, move the gate aside.



If you intend to use the optional drywall anchors, drill a pilot hole and insert the anchors into the center of each marked circle. (Refer to illustration a & b for use with anchors and illustration c for use without drywall anchors.)

NOTE: The Adhesive Mounting Pads are included only for positioning the mounting cups and must be used in conjunction with screws.

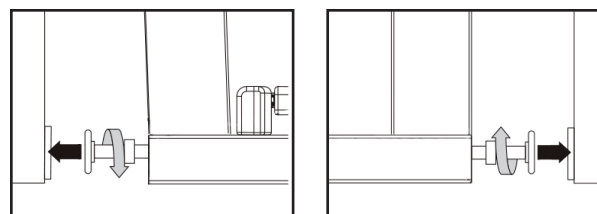
Remove the liner from one side of the Adhesive Mounting Pads, then place and stick a pad inside each of the four pencil-marked circles. Remove the other liner from each Mounting Pad and place the Mounting Cups on each pad. Fasten the Mounting Cups to the wall using the screws included in the hardware bag.



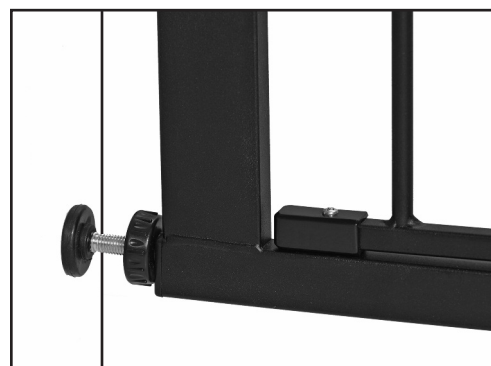
### Installing the Gate in the Opening

4. Begin by positioning the gate level and centered in the doorway opening. NOTE: It is important to install the gate with a spacing of no more than 2.5" from the floor, and to make sure the gap between the side walls and the gate is no more than 2.5" on each side of the gate.

Pull the 4 Threaded Spindle Bolts out of the ends of the frame tubes until the Pad touches the wall. \*\*If you are using the Mounting Cups, the pads should go into the Mounting Cups that are fastened to your wall.\*\*

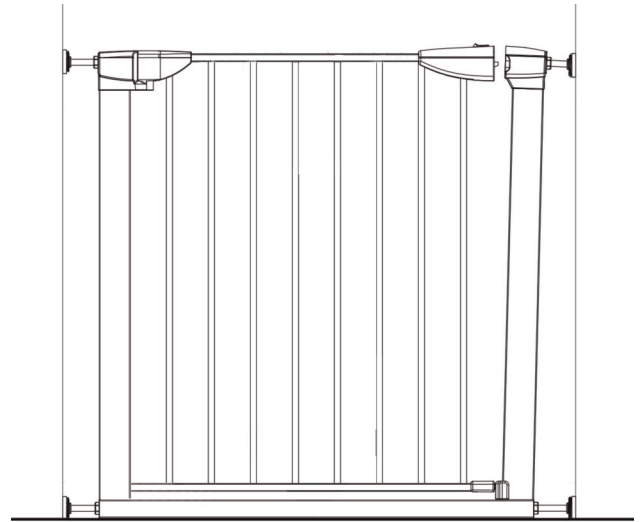


5. While holding Pads against the wall, turn the Adjustment Wheels counter clockwise until the adjustment wheels are up against the ends of the frame as shown. DO NOT TIGHTEN. Go to step 6 for final adjustment. HELPFUL HINT: It might be necessary to hold the Threaded Spindle Bolt while turning the Adjustment Wheel to ensure the Threaded Spindle Bolt doesn't turn.

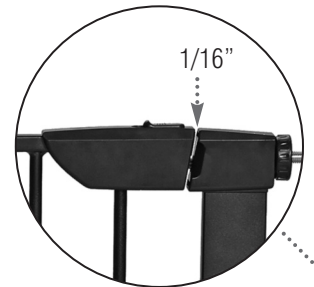


NOTE: If necessary, the wrench is provided for final tightening of all tension knobs.

6. To fasten your gate **firmly** in the opening or doorway, start by turning the **BOTTOM** Adjustment Wheels first. Continue to turn the bottom Adjustment Wheels counter clockwise until the Adjustment Wheels are firmly against the frame. **IMPORTANT:** There should be equal space on each side of the gate. To easily determine this, look at the length of threaded rod showing. If more threaded rod is showing on one side you can adjust using the Adjustment Wheels. Simply turn the side that has too much threaded rod showing clockwise, and then turn the other side counter clockwise until all sides are equal.
7. Repeat Step 6 with the **TOP** Adjustment Wheels. Again, there should be equal space on each side of the gate. As you tighten the top you will notice that the gap between the door latch and the frame will begin to narrow. As the gap continues to narrow, continue turning the upper Adjustment Wheels until the door latch and the frame are engaged. **NOTE:** If you have not done so already, you can cut the zip tie that held the door and frame together.



Leave a 1/16" gap between the frame and the door latch as shown. **IMPORTANT:** The frame must not touch the door latch. If it does touch you have turned the Adjustment Wheels too much. To correct this simply turn the upper Adjustment Wheels clockwise a few turns until you have a 1/16" gap. Your gate is now ready to use.



### To Verify Installation

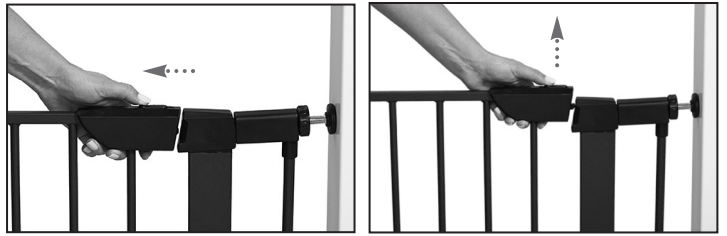
Push the gate frame to ensure that it is secure in the opening and then push the door to ensure that the upper and lower latches lock securely in the housing of the frame.

NOTE: If gate is too difficult to unlatch, the Threaded Spindle Bolts may be too tight.



## To Open the Gate

1. Pull the release button back with your thumb.
2. Lift up on the door panel.
3. Swing open in either direction.



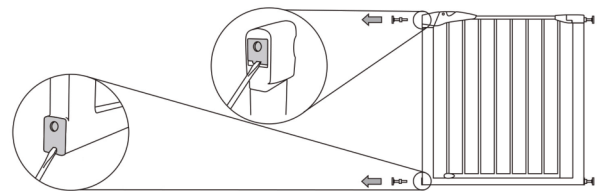
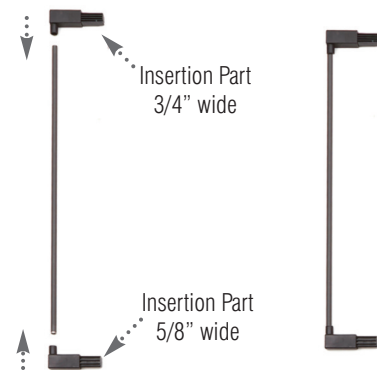
## To Close the Gate

1. Release the door within ten inches of the frame and it will close and latch automatically. If it does not latch automatically, the gate might not be positioned evenly within the opening and perpendicular to the floor. If needed, adjust accordingly. **CAUTION:** After closing the gate, **ALWAYS** check to be certain that it is latched correctly.



## Instructions for Adding 3" Gate Extension

1. Begin by determining which extension or combination of extensions is required for your doorway opening. Attach the Top Plastic Connector and Bottom Plastic Connector to the top and bottom of the Extension Rod. **NOTE:** The insertion point of the Top Connector is  $\frac{3}{4}$ " wide, and the insertion point of the Bottom Connector is  $\frac{5}{8}$ " wide.
2. Using a flat head screwdriver, remove the Top Plastic Insert and the Bottom Plastic Insert from the gate frame as shown.
3. Connect the Extension Rod to the gate frame as shown.
4. Install the Top Plastic Insert and Bottom Plastic Insert that were removed in Step 2 into the ends of the extension bar's Top and Bottom Plastic Connector.
5. Once the required extensions are attached to the gate, insert the 4 Threaded Spindle Bolts into the ends of the extensions you just assembled and follow the instructions from the pet gate starting from Step 1.



## Troubleshooting

If the gate does not stay closed:

1. The upper latch set is not properly adjusted.  
SOLUTION: Adjust the upper tension knobs by turning them counter-clockwise to release tension or clockwise to increase tension. Also, ensure that the upper latch button engages securely when the gate swings closed and that it can be released properly when the release button is pushed.
2. The gate is out of alignment.  
SOLUTION: Although unusual, some door frames may be out of alignment. In this case you may have adjust the individual tension knobs to ensure that the gate is aligned properly. Remove and re-install the gate making sure it is installed correctly.

## Removing Gate From the Opening

To remove your gate from the opening begin by turning the Adjustment Wheels clockwise until the flat plastic ends of the Threaded Spindle Bolts come out of the Mounting Cups or disengage from the wall.

### LIMITED MANUFACTURERS WARRANTY

1. For one (1) year from the date of original purchase, MIDWEST Homes For Pets ("MIDWEST") warrants to the purchaser of this pet gate that, should it prove defective by reason of improper workmanship and/or material, MIDWEST will repair or replace, at its option, any defective part of the pet gate, without charge for the part or for shipping. Replacement parts are warranted for the remainder of the original period.
2. **THIS WARRANTY DOES NOT COVER** defects in the gate or hardware caused by any animal, any physical abuse to or misuse of the pet gate, any damage caused by the original purchaser or any third party, or any defects arising or discovered more than one (1) year from the original retail purchase date.
3. **STEPS TO OBTAIN WARRANTY SERVICE:**
  - A. The purchaser must call MIDWEST's HELPLINE, 800-428-8560, to report the alleged defect to a customer service representative or obtain missing parts.
  - B. The customer service representative will determine if the defect is covered by this warranty, and if it is, will authorize and instruct the purchaser in how to obtain corrective action.
  - C. MIDWEST may require the purchaser to present the sales receipt or other proof of purchase prior to authorizing any return or replacement. No returns or replacements will be permitted without proper authorization. If a return or replacement is authorized, you may be requested to return the item to MIDWEST or to make the item available for pick-up by MIDWEST.
4. **ANY EXPRESS WARRANTY NOT PROVIDED IN THIS WARRANTY DOCUMENT, AND ANY REMEDY FOR BREACH OF CONTRACT THAT, BUT FOR THIS PROVISION, MIGHT ARISE BY IMPLICATION OR OPERATION OF LAW, IS HEREBY EXCLUDED AND DISCLAIMED. THE IMPLIED WARRANTIES OF MERCHANTABILITY AND OF FITNESS FOR ANY PARTICULAR PURPOSE ARE EXPRESSLY LIMITED TO A TERM OF ONE (1) YEAR. SOME STATES DO NOT ALLOW LIMITATIONS ON HOW LONG AN IMPLIED WARRANTY LASTS, SO THE ABOVE LIMITATIONS MAY NOT APPLY TO YOU.**
5. **UNDER NO CIRCUMSTANCES SHALL MIDWEST BE LIABLE TO PURCHASER OR ANY OTHER PERSON OR ANY SPECIAL, INCIDENTAL OR CONSEQUENTIAL DAMAGES, WHETHER ARISING OUT OF BREACH OF WARRANTY, BREACH OF CONTRACT OR OTHERWISE, SOME STATES DO NOT ALLOW THE EXCLUSION OR LIMITATIONS OF INCIDENTAL OR CONSEQUENTIAL DAMAGES, SO THE ABOVE LIMITATIONS OR EXCLUSION MAY NOT APPLY TO YOU.**
6. This warranty gives you specific legal rights, and you may also have other rights which vary from state to state.

*For a Complete Listing of Products*

**Crate Casters • Ex Pens • Kennels ...**

*- Come Visit Our Website*

