

frisco[®]
by **chewy**



52-in Faux Fur Cat Tree & Condo Product Manual

SKU# 92261, 101799, 163741, 163742, 163743, 211409

22.5 IN L X 23 IN W X 52 IN H

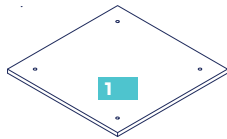
57 CM L X 58.4 CM W X 132 CM H

Assembly Instructions

Please read through all instructions before starting.

Parts Included

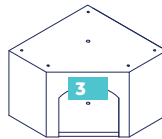
Prior to assembly, please be sure to identify and sort all parts shown below. No additional tools required.



1 Baseboard



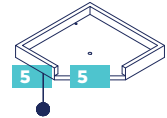
1 Platform



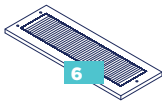
1 Apartment



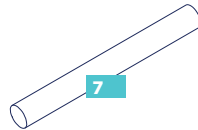
1 Platform



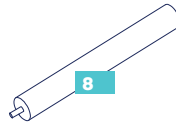
1 Perch



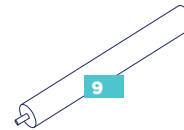
1 Platform



3 Posts
19.69 inch



1 Scratching Post
18.50 inch

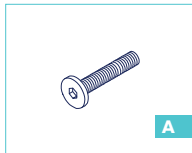


1 Scratching Post
19.09 inch

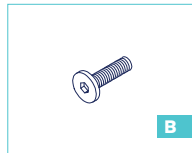


5 Posts
8.46 inch

Accessories



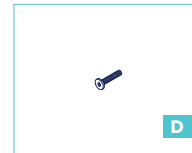
6 Bolts
M10 mm x 40 mm



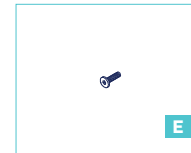
2 Bolts
M10 mm x 35 mm



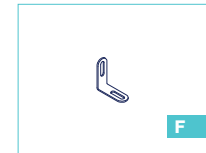
1 Double-sided Bolt
M10 mm x 85 mm



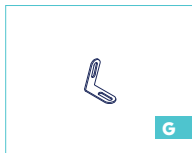
10 Bolts
M6 mm x 35 mm



7 Bolts
M6 mm x 16 mm



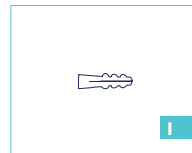
2 Brackets



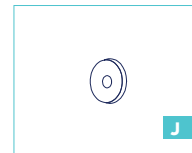
2 Brackets



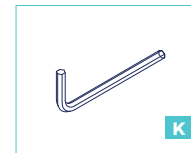
1 Screw
M4 mm x 30 mm



1 Anchor
30 mm drywall



1
6 mm washer



1
5 mm allen wrench



NO

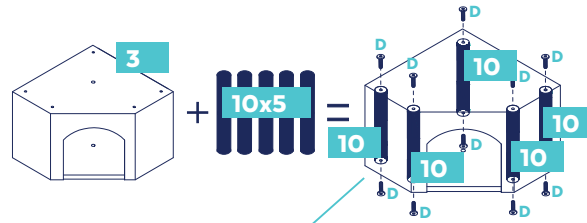
YES

Call 1.800.672.4399 for questions

Assembly Instructions

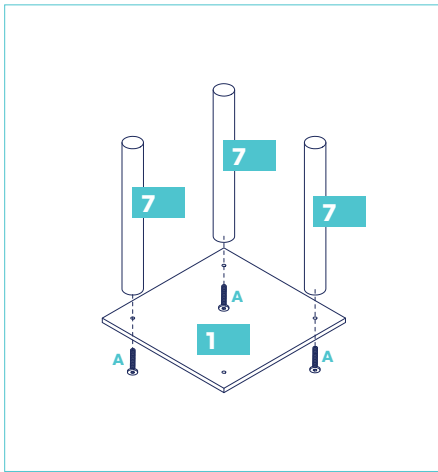
Please Read Through All Instructions Before Starting

Step 1.

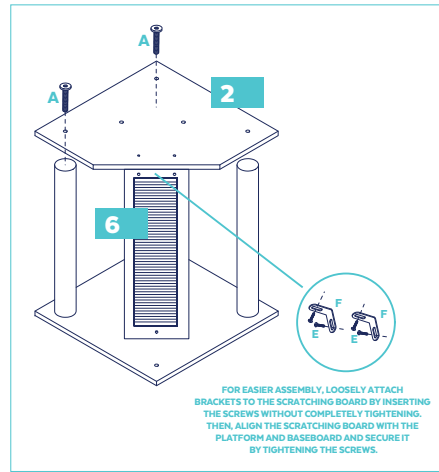


For easier assembly, insert all 5 posts inside to frame the apartment from each corner. Use the allen wrench to locate and align the holes between apartment board and post, then loosely attach the screws at both ends without completely tightening. Repeat for all corners. Then, tighten all 10 screws to finish apartment assembly.

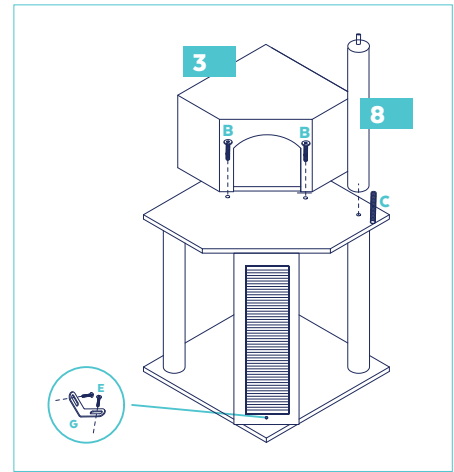
Step 2.



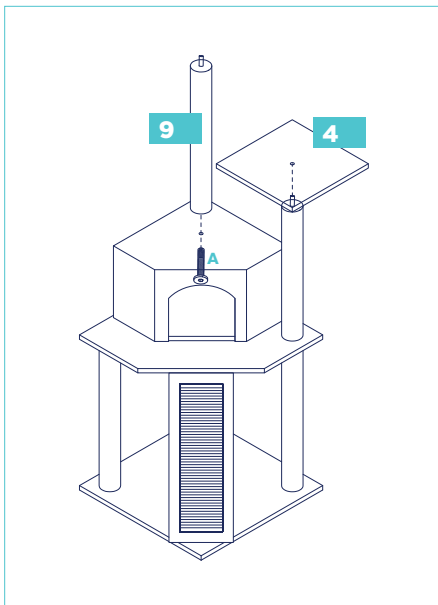
Step 3.



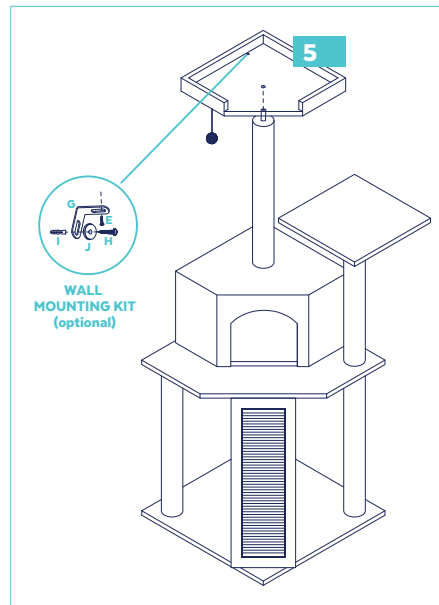
Step 4.



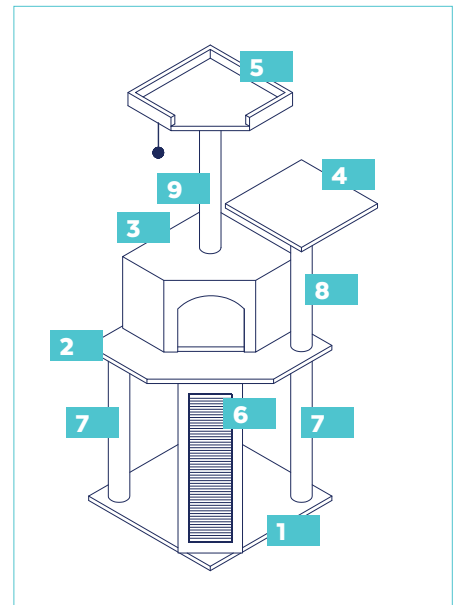
Step 5.



Step 6.



FINISHED ASSEMBLY



Call 1.800.672.4399 for questions

Warning & Cautions

Please read and follow all warnings and instructions to avoid injury or property damage.

This is not a toy, not for use with children.

Keep all small parts away from children / pets to avoid choking hazards.

For cat use only.

Should only be operated by a responsible adult.

Keep all tools and instructions in a safe place for future reference.

Follow the instructions carefully and make sure you've completed each step.

Cat tree should be placed on a flat level surface.

Never climb, rock, shake, step or hang on the cat tree.

Check your cat tree often for loose screws or parts that might need re-tightening.

If your cat tree gets torn or damaged, please discard it.

The product photo may vary slightly from your fully assembled cat tree as this product is continually being enhanced.

Cleaning & Instructions

Spot clean stains and vacuum fur (using small handheld or attachment) when necessary.

Questions?

**Call our friendly customer service anytime.
We're here 24/7 at 1.800.672.4399**