

**frisco**<sup>®</sup>  
by **chewy**



# **Elevated Pet Bed Instruction Manual**

**SMALL: 35.7"L x 21.8"W x 7.75"H**

**MEDIUM: 43.4"L x 25.8"W x 7.75"H**

**LARGE: 51.6"L x 31.8"W x 7.75"H**

**FOR PET USE ONLY**

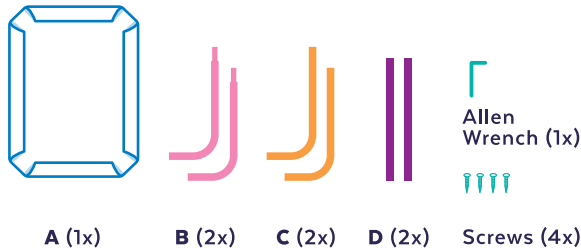
# Assembly

Please Read Through All Instructions Before Starting

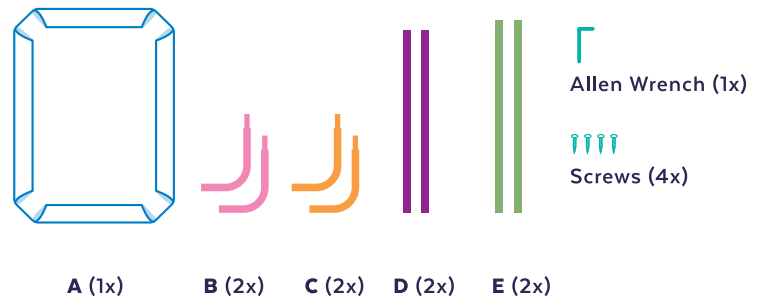
## Parts Included

- A Mat
- B Metal feet with tapered ends
- C Metal feet (tapered ends for large bed only)
- D Metal crossbars
- E Metal crossbars (for large bed only)  
(Allen Wrench)  
(Screws)

### Small & Medium Bed



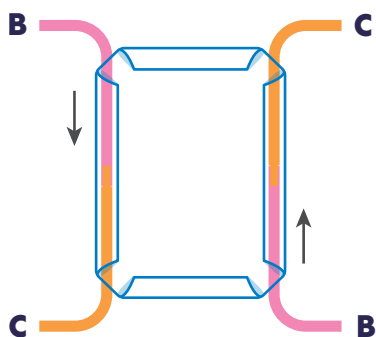
### Large Bed



## Assembly instructions

Your pup's new "throne" comes together in just a few steps.

### Step 1



#### SMALL & MEDIUM BED

#### SMALL AND MEDIUM BEDS ONLY:

Place the mat flat on the floor with the pockets for the frame facing up. Insert each of the 4 metal feet (parts B & C) into the longer side pockets with the indented hole facing down and feet facing out. Once inside the pockets, connect the tapered end of (B) with the open end of (C). Continue to the next page, STEP 2.

# Assembly

Please Read Through All Instructions Before Starting

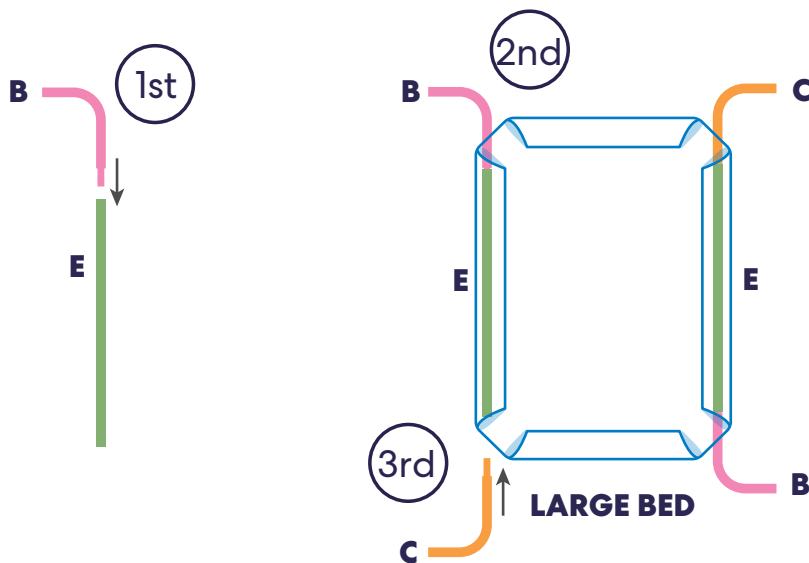
## LARGE BED ONLY:

Place the mat flat on the floor with the pockets for the frame facing up.

**First**, connect the tapered end of (B) to an open end of (E).

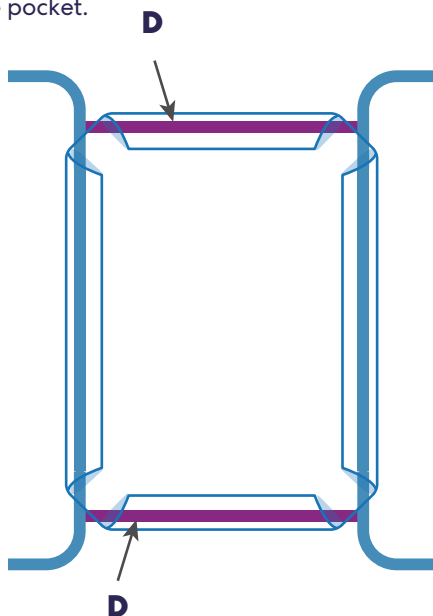
**Second**, insert (E) into the longer side pockets with the indented hole of (B) facing down and feet facing out.

**Third**, insert the tapered end of (C) into the opposite end of the pocket and connect to the open end of (E) with the indented hole facing down and feet facing out. Repeat for the second, longer side pocket.



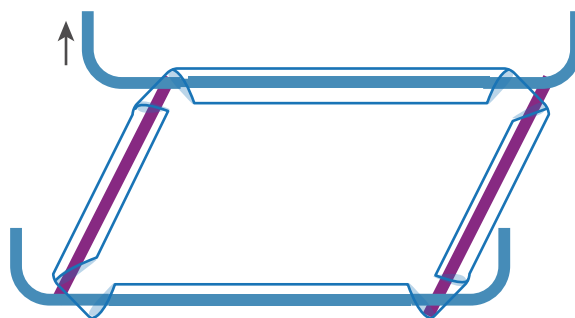
## Step 2

Insert each of the metal cross bars (D) into a short side pocket.



## Step 3

Rotate the metal feet upwards so the indented holes are facing out. Align the ends of the cross bars (D) with the interior holes of the metal feet. Use the supplied Allen wrench to insert screws, do not fasten all the way (completely tightening will make it difficult to align the second side). Repeat for the remaining side.



Call 1.800.672.4399 for questions

## Step 4

Flip the bed over and place all 4 feet on a flat surface. Use the Allen wrench to tighten all 4 screws. Keep the Allen wrench in a safe place for tightening as needed in the future.



## Warnings and cautions

**We care about the safety of your pet, so please READ AND FOLLOW all instructions before introducing your pet's new "throne". Improper use may result in serious injury or even the death of your pet.**

- For pet use only. Keep children away.
- Keep tools and instructions in a safe place for future reference.
- Follow the instructions carefully and make sure you've completed each step.
- Do not exceed the maximum weight recommendations.
- Place the bed on a flat, level surface and away from direct sunlight.
- Check your pet's "throne" regularly for loose screws that may need re-tightening.
- Replace the fabric if it gets torn or damaged.
- Never place near a fire or open flame.
- While we are dedicated to providing the best for your pet, Chewy, Inc. is not responsible for any loss, damage, discomfort, injury, illness, death or costs of any kind as a result of or by use of this bed.

## Weight recommendations

**For your pet's safety, please follow the recommended weight limitations for each "throne".**

**Small** - up to 40lbs | **Medium** - up to 65lbs | **Large** - up to 85lbs

## Replacement mat

**You can order replacement mats by calling 1-800- 67-CHEWY or visiting [www.chewy.com](http://www.chewy.com).**

**99231** Frisco Replacement Cover for Steel-Framed Elevated Dog Bed